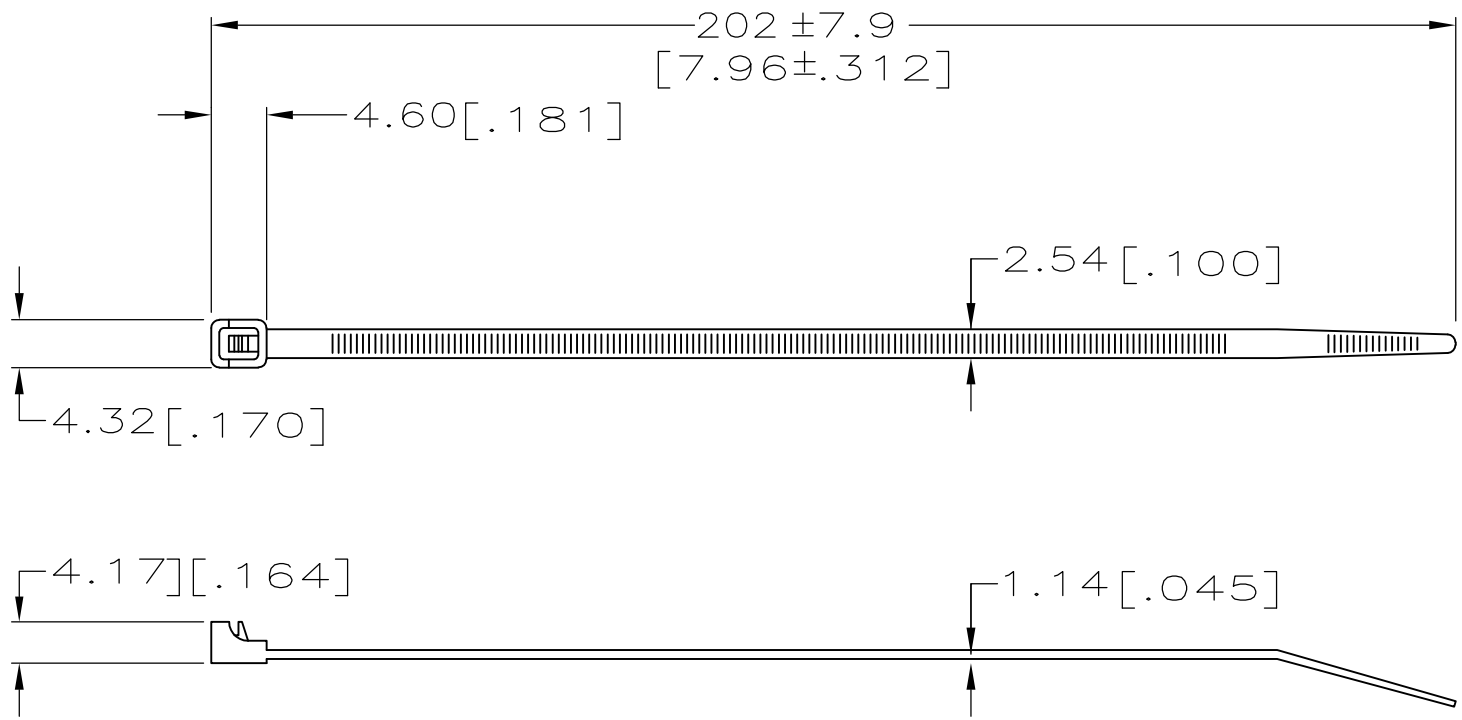



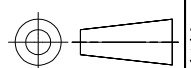
THIS DRAWING IS UNPUBLISHED. RELEASED FOR PUBLICATION
 © COPYRIGHT - By - ALL RIGHTS RESERVED.

LOC	DIST	REVISIONS			
P	LTR	DESCRIPTION	DATE	DWN	APVD
	G2	REVISED PER ECO-13-004228	08JUN13	KH	DR



1. PACKAGED IN A HEAT SEALED 3 MIL POLYBAG WITH LABEL PER DWG 404707.
2. MAXIMUM BUNDLE DIAMETER: 50.8 [2.0].
3. MINIMUM TENSILE STRENGTH: 8.165 KG [18 LBS].
4. MIL NO. MS3367-4
5. MOSITURIZED 1 TO 2.5% WATER

QUANTITY/BAG	REF	COLOR	PART NUMBER
1000	TY2MB	BLACK	2-608687-0
1000	TY2M	NATURAL	2-608687-9
100	TY2CB	BLACK	1-608687-0
100	TY2C	NATURAL	1-608687-9

THIS DRAWING IS A CONTROLLED DOCUMENT.		DWN JR RUTH 12MAR10	 TE Connectivity	
DIMENSIONS: mm [INCHES]		CHK T MICHIELUTTI 12MAR10		
TOLERANCES UNLESS OTHERWISE SPECIFIED: 0 PLC ± - 1 PLC ± - 2 PLC ± - 3 PLC ± 0.99 [.039] 4 PLC ± - ANGLES ± -		APVD T MICHIELUTTI 12MAR10	NAME CABLE TIE, RELEASABLE, 8 INCHES	
		PRODUCT SPEC -	-	
MATERIAL NYLON 6/6		FINISH -	APPLICATION SPEC -	RESTRICTED TO -
		WEIGHT -	SIZE A3	CAGE CODE 00779
		DRAWING NO C-608687		REV G2
		CUSTOMER DRAWING		SCALE NONE
		SHEET 1 OF 1		